

## Tee normale saldare/mandrinare lucido

Normativa: DIN 11851 (DIN 1)

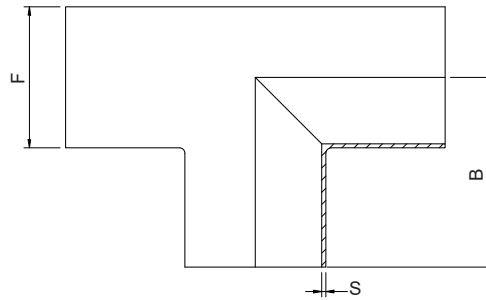


Fig. XD470.21

Codice	DN	Ø F (mm)	B (mm)	S (mm)
XD470.21015.***	15	18	35	15
XD470.21020.***	20	22	40	15
XD470.21025.***	25	28	50	15
XD470.21032.***	32	34	55	15
XD470.21040.***	40	40	60	15
XD470.21050.***	50	52	70	15
XD470.21065.***	65	70	80	2
XD470.21080.***	80	85	90	2
XD470.21100.***	100	104	100	2
XD470.21101.***	100	101.6	100	2
XD470.21125.***	125	129	124	2
XD470.21150.***	150	154	143	2

disponibile solo AISI 316

Materiale	Sigla (***)
Inox AISI 304	304
Inox AISI 316	316