

## Riduzione concentrica CLAMP/CLAMP

Normativa: CLAMP BS

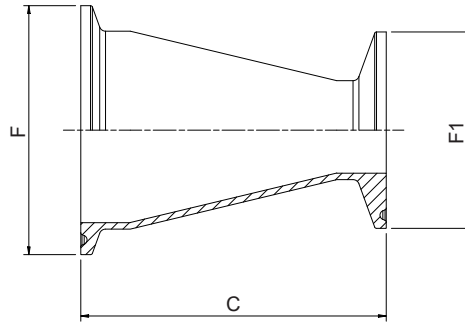


Fig. XC502.11

| Codice             | DN (inch) | DN <sub>1</sub> (inch) | F     | F <sub>1</sub> | C (mm) |
|--------------------|-----------|------------------------|-------|----------------|--------|
| XC502.11020015.316 | 3/4"      | 1/2"                   | 34    | 34             | -      |
| XC502.11025015.316 | 1"        | 1/2"                   | 50.4  | 34             | -      |
| XC502.11025020.316 | 1"        | 3/4"                   | 50.4  | 34             | -      |
| XC502.11040020.316 | 1" 1/2    | 3/4"                   | 50.4  | 50.4           | -      |
| XC502.11040025.316 | 1" 1/2    | 1"                     | 50.4  | 50.4           | -      |
| XC502.11050025.316 | 2"        | 1"                     | 64    | 50.4           | -      |
| XC502.11050040.316 | 2"        | 1" 1/2                 | 64    | 50.4           | -      |
| XC502.11065040.316 | 2" 1/2    | 1" 1/2                 | 77.4  | 50.4           | -      |
| XC502.11065050.316 | 2" 1/2    | 2"                     | 77.4  | 64             | -      |
| XC502.11080050.316 | 3"        | 2"                     | 90.9  | 64             | -      |
| XC502.11080065.316 | 3"        | 2" 1/2                 | 90.9  | 77.4           | -      |
| XC502.11100065.316 | 4"        | 2" 1/2                 | 118.8 | 77.4           | -      |
| XC502.11100080.316 | 4"        | 3"                     | 118.8 | 90.9           | -      |
| XC502.11100065.316 | 4"        | 2" 1/2                 | 118.8 | 77.4           | -      |