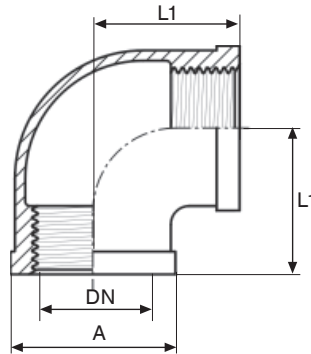


Gomito 90°FF: Tipo 90

SPECIFICHE TECNICHE

Materiale	AISI 316 / 1.4401 / 1.4408
Filettatura	EN 10226-1 (ex ISO 7/1)
Rating	150 PSI – PN10



Codice	DN	DN (inch)	A (mm)	L1 (mm)	Peso (gr)
090108316	6	1/8"	17	19	39
090104316	8	1/4"	21.3	21	61
090308316	10	3/8"	23.5	21.3	68
090102316	15	1/2"	29	27	102
090304316	20	3/4"	35	33	164
090100316	25	1"	43	38	264
090114316	32	1" 1/4"	52	45	413
090112316	40	1" 1/2"	58	50	521
090200316	50	2"	71	58	808
090212316	65	2" 1/2"	86.5	69.7	1183
090300316	80	3"	99.5	77.5	1380
090400316	100	4"	125	98.2	2714