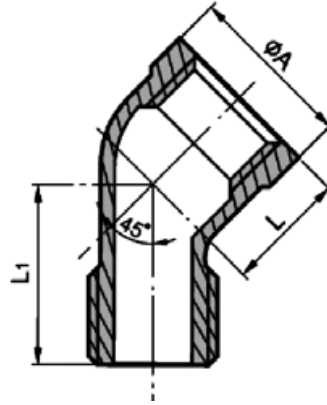


Gomito 45° MF: Tipo 122

SPECIFICHE TECNICHE

Materiale AISI 316 / 1.4401 / 1.4408
Filettatura EN 10226-1 (ex ISO 7/1)
Rating 150 PSI – PN10



Codice	D	A (mm)	L (mm)	L1 (mm)	Peso (gr)
122108316	1/8"	17	16	21	24
122104316	1/4"	21	17	23	42
122308316	3/8"	25	19	27	63
122102316	1/2"	29	21	31	87
122304316	3/4"	35	25	36	135
122100316	1"	43	29	42	230
122114316	1"1/4	52	34	49	360
122112316	1"1/2	58	37	51	422
122200316	2"	71	42	59	710
122212316	2"1/2	88	49	71	1210
122300316	3"	101	54	79	1670
122400316	4"	129	65	96	2860