

## Curva DIN 90° a saldare lucida

Normativa: DIN 11851 (DIN 2)

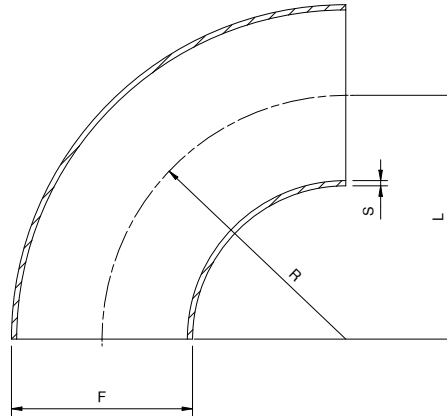


Fig. XD401.22

Codice	DN	Ø F (mm)	L (mm)	S (mm)	R (mm)
XD401.22010.***	10	13	26	1.5	26
XD401.22015.***	15	19	35	1.5	35
XD401.22020.***	20	23	40	1.5	40
XD401.22025.***	25	29	50	1.5	50
XD401.22032.***	32	35	55	1.5	55
XD401.22040.***	40	41	60	1.5	60
XD401.22050.***	50	53	70	1.5	70

Materiale	Sigla (***)
Inox AISI 304	304
Inox AISI 316	316