

Curva DIN 90° a saldare lucida

Normativa: DIN 11851 (DIN 1)

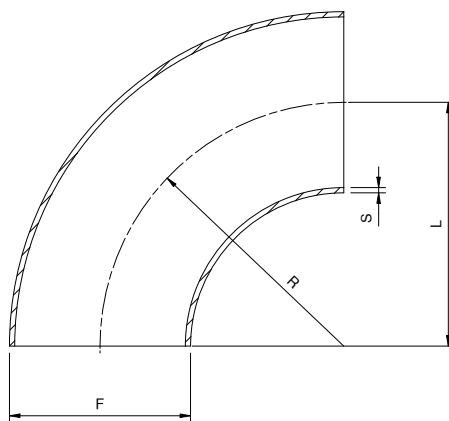


Fig. XD401.21

Codice	DN	Ø F (mm)	L (mm)	S (mm)	R (mm)
XD401.21010.***	10	12	26	15	-
XD401.21015.***	15	18	35	15	35
XD401.21020.***	20	22	40	15	40
XD401.21025.***	25	28	50	15	50
XD401.21032.***	32	34	55	15	55
XD401.21040.***	40	40	60	15	60
XD401.21050.***	50	52	70	15	70
XD401.21060.***	60	60	-	15	75
XD401.21065.***	65	70	80	2	80
XD401.21080.***	80	85	90	2	90
XD401.21100.***	100	104	100	2	100
XD401.21101.***	100	101.6	100	2	110
* A richiesta					
* XD401.21125.***	125	129	187.5	2	188
* XD401.21150.***	150	154	225	2	225
* XD401.21200.***	200	204	300	2	300

disponibile solo AISI 316

Materiale	Sigla (***)
Inox AISI 304	304
Inox AISI 316	316