

## Curva DIN 90° a mandrinare lucida

Normativa: DIN 11851

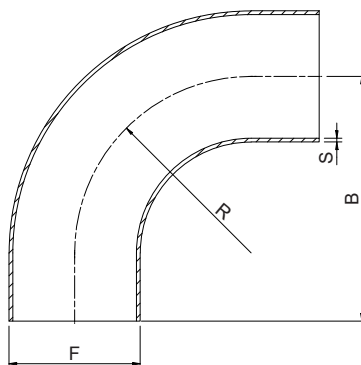
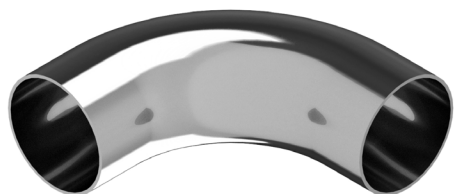


Fig. XD404.21

| Codice          | DN  | Ø F (mm) | B (mm) | S (mm) | R (mm) |
|-----------------|-----|----------|--------|--------|--------|
| XD404.21015.*** | 15  | 18       | 47     | 1.5    | 35     |
| XD404.21020.*** | 20  | 22       | 52     | 1.5    | 40     |
| XD404.21025.*** | 25  | 28       | 70     | 1.5    | 50     |
| XD404.21032.*** | 32  | 34       | 78     | 1.5    | 55     |
| XD404.21040.*** | 40  | 40       | 85     | 1.5    | 60     |
| XD404.21050.*** | 50  | 52       | 97     | 1.5    | 70     |
| XD404.21060.*** | 60  | 60       | 110    | 1.5    | 75     |
| XD404.21065.*** | 65  | 70       | 110    | 2      | 80     |
| XD404.21080.*** | 80  | 85       | 123    | 2      | 90     |
| XD404.21100.*** | 100 | 104      | 150    | 2      | 100    |
| XD404.21101.*** | 100 | 101.6    | 150    | 2      | 110    |

disponibile solo AISI 316

| Materiale     | Sigla (***) |
|---------------|-------------|
| Inox AISI 304 | 304         |
| Inox AISI 316 | 316         |