

Curva DIN 45° a mandrinare lucida

Normativa: DIN 11851

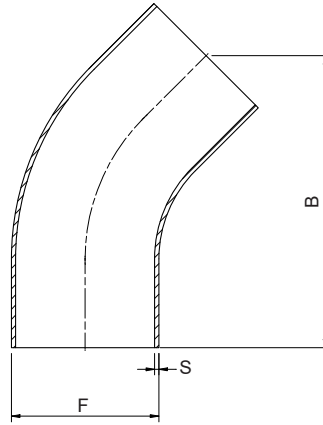
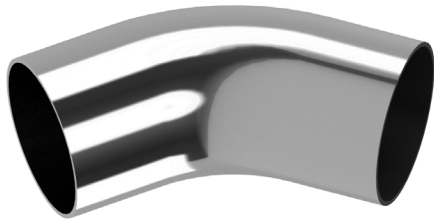


Fig. XD403.21

Codice	DN	Ø F (mm)	S (mm)	B (mm)
XD403.21025.***	25	28	15	73
XD403.21032.***	32	34	15	83
XD403.21040.***	40	40	15	89
XD403.21050.***	50	52	15	103
XD403.21065.***	65	70	2	108
XD403.21080.***	80	85	2	120
XD403.21100.***	100	104	2	151

Materiale	Sigla (***)
Inox AISI 316	316