

## Curva DIN 45° a saldare lucida

Normativa: DIN 11851 (DIN 1)

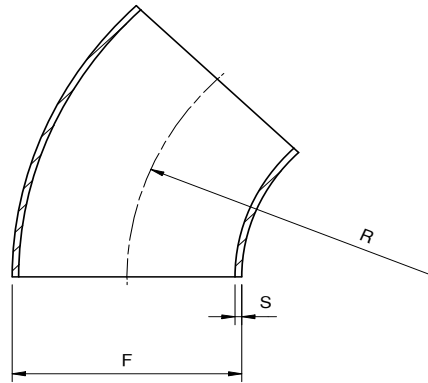
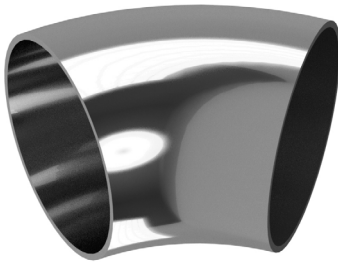


Fig. XD400.21

Codice	DN	Ø F (mm)	S (mm)	R (mm)
XD400.21025.***	25	28	1.5	50
XD400.21032.***	32	34	1.5	55
XD400.21040.***	40	40	1.5	60
XD400.21050.***	50	52	1.5	70
XD400.21060.***	60	60	1.5	75
XD400.21065.***	65	70	2	80
XD400.21080.***	80	85	2	90
XD400.21100.***	100	104	2	110
XD400.21101.***	100	101.6	2	100

Materiale	Sigla (***)
Inox AISI 304	304
Inox AISI 316	316