

## Curva 90° a saldare lucida AISI 316

Normativa: CLAMP BS

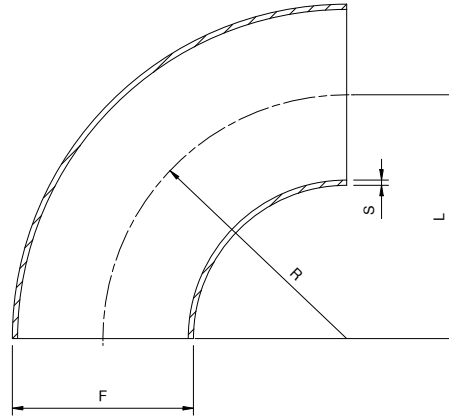


Fig. XC401.11

Codice	DN (inch)	F (mm)	R (mm)	S (mm)
XC401.11015.316	1/2"	12.7	19.1	1.65
XC401.11020.316	3/4"	19.05	28.6	1.65
XC401.11025.316	1"	25.4	38.1	1.65
XC401.11040.316	1" 1/2	38.1	57.2	1.65
XC401.11050.316	2"	50.8	76.2	1.65
XC401.11065.316	2" 1/2	63.5	95.3	1.65
XC401.11080.316	3"	76.2	114.2	1.65
XC401.11100.316	4"	101.6	152.4	2.1