

Adattatore femmina DIN - maschio GAS

Normativa: DIN 11851

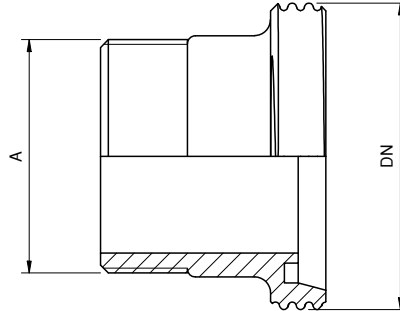


Fig. XD442.21

Codice	DN	Ø A (mm)
XD442.21010010.***	10	3/8"
XD442.21015015.***	15	1/2"
XD442.21020020.***	20	3/4"
XD442.21025025.***	25	1"
XD442.21032032.***	32	1" 1/4
XD442.21040040.***	40	1" 1/2
XD442.21050050.***	50	2"
XD442.21065065.***	65	2" 1/2
XD442.21080080.***	80	3"
XD442.21100100.***	100	4"

Materiale	Sigla (***)
Inox AISI 304	304
Inox AISI 316	316