

## Adattatore da CLAMP a GAS maschio AISI 316

Normativa: CLAMP BS

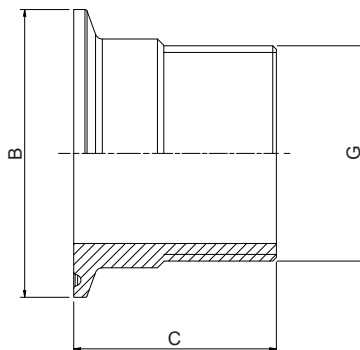


Fig. XC441.11

Codice	DN (inch)	G (inch)	C (mm)	B (mm)
XC441.11015008.316	1/2"	1/4"	33	34.0
XC441.11020010.316	3/4"	3/8"	33	34.0
XC441.11020015.316	3/4"	1/2"	33	34.0
XC441.11020020.316	3/4"	3/4"	-	-
XC441.11025010.316	1"	3/8"	-	-
XC441.11025015.316	1"	1/2"	35	50.4
XC441.11025020.316	1"	3/4"	35	50.4
XC441.11025025.316	1"	1"	35	50.4
XC441.11050025.316	2"	1"	-	-
XC441.11050040.316	2"	1" 1/2"	45	64.0
XC441.11050050.316	2"	2"	50	64.0
XC441.11040025.316	1" 1/2"	1"	-	-
XC441.11040040.316	1" 1/2"	1" 1/2"	38	50.4
XC441.11040032.316	1" 1/2"	1" 1/4"	35	50.4
XC441.11050032.316	2"	1" 1/4"	45	64.0