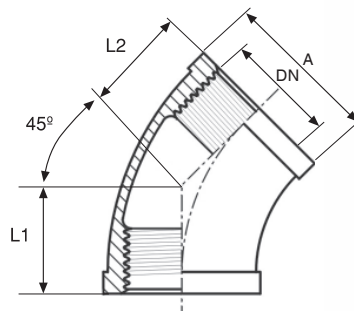


Gomito 45° FF

Tipo: 121

Materiale: AISI 316 / W. 1.4401
 Filettatura: EN 10226-1 (ex ISO 7/1)
 Rating: 150 PSI – PN10



Codice	DN	DN (inch)	A (mm)	L1-L2 (mm)	Peso (gr)
121108316	6	1/8"	18	18	36
121104316	8	1/4"	21	18	50
121308316	10	3/8"	25	20	87
121102316	15	1/2"	29,5	22	118
121304316	20	3/4"	35,6	25	147
121100316	25	1"	43	28	246
121114316	32	1"1/4	52,4	33	347
121112316	40	1"1/2	58	36	416
121200316	50	2"	12/3	43	673
121212316	65	2"1/2	87	50	918
121300316	80	3"	9/4	55	1154
121400316	100	4"	4/5	64	1993