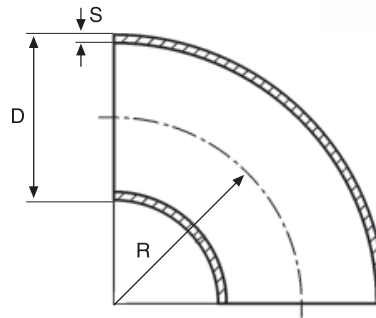


Curva metrica 90° da tubo saldato

Norme: EN 10253-3

Materiale: Art. 174 - AISI 304L / W. 1.4307



707/304L - 707/316L Spessore 2 mm

Codice AISI 304	Codice AISI 316	D	S	R	Peso (gr)
707200304	707200316	20	2	30	40
707250304	707250316	25	2	37	60
707300304	707300316	30	2	45	100
707380304	707380316	38	2	55	140
707400304	707400316	40	2	60	180
707445304	707445316	44,5	2	65	200
707500304	707500316	50	2	71	310
707540304	707540316	54	2	80	330
707570304	707570316	57	2	85,5	400
707700304	707700316	70	2	92	460
707840304	707840316	84	2	125	830
707104304	707104316	104	2	155	1190
707108304	707108316	108	2	142,5	1500
707129304	707129316	129	2	190	2000